

## 7960 Extra Large Paddle Rotary Latch

### Features

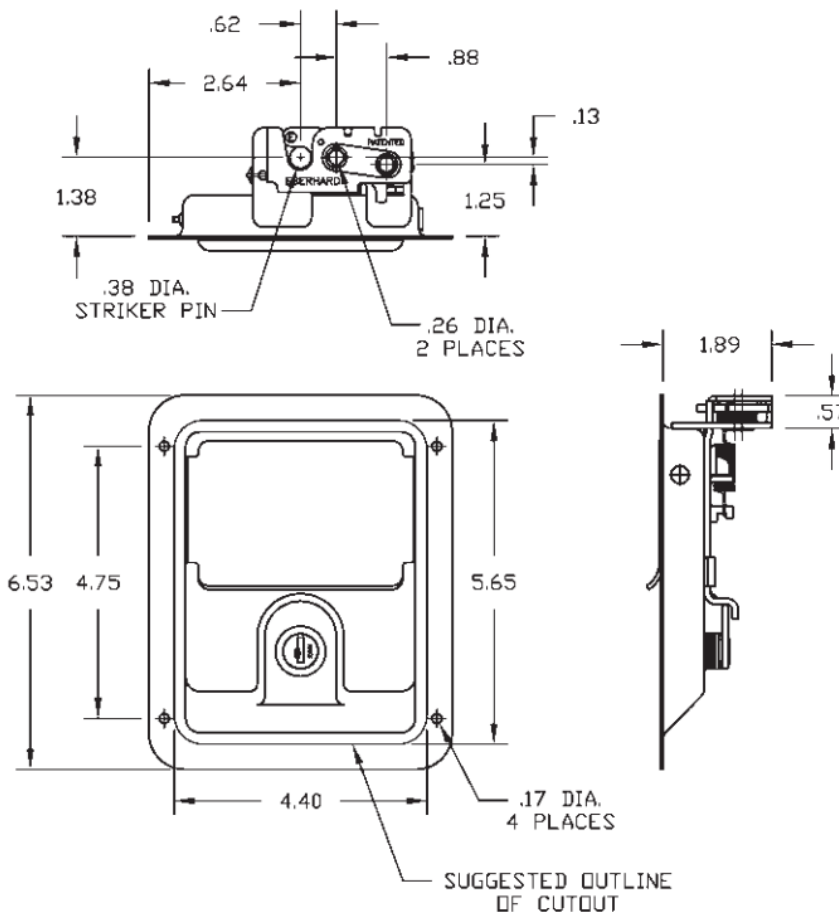
- Two-stage paddle rotary provides positive vertical and horizontal latching around the strike pin
- Water resistant paddle design limits water penetration into the compartment area
- Everlube finish on internal latch components for corrosion protection and added lubricity

### Material

- Carbon steel or stainless steel

### Notes

- Striker 240-52U sold separately



Part No.	Material
3-7960-SS	Stainless Steel
3-7960	Carbon Steel

Dimensions in inches